

MC0119-13
January 2019

ROCKFORD

DRIVE LINE



CV Joints, Splined Stubs, Boot Kits & Crimping Fixtures

MANUFACTURER OF DRIVELINE COMPONENTS
1500 11TH AVENUE ROCKFORD, ILLINOIS 61104
PHONE (815) 962-1411 FAX (815) 965-4857
RockfordDriveLine.com



CV Joints, Splined Stubs, Boot Kits & Crimping Fixtures

TABLE OF CONTENTS

	Page
Crimping Fixtures	22-24
Joint Dimensions	14-15
High Speed Boot Kits	18-21
High Speed CV Joints	4-13
Reference Guide	25-26
Replacement Splines	16-17

Notice: The data contained in this catalog has been thoroughly checked for accuracy, however we cannot assume any responsibility for errors, omissions or typographical mistakes that may appear.

All data is property of ©Rockford Drive Line and may not be duplicated or used in any way without written authorization.

High Speed CV Joints...

Rockford's NEW "FULLY LOADED" C.V. joints are manufactured to meet the design requirements of the original equipment manufacturer. The new assembly includes our super-strength OE designed housing with precision-engineered internal components and a new boot, end cap, grease and hardware required to do the job right.

Rkfd No.

Applications Years

361-80 - Fixed Design

Chrysler Town & Country AWD
 W/100mm CV (Front Joint)..... 2001-2001
 Dodge Caravan AWD W/100mm
 CV (Front Joint) 2001-2001
 Jeep Grand Cherokee (Rear Joint) .. 1999-2004
 Jeep Liberty (Rear Joint) 2002-2007

Note: This joint appears to be the same as the 361-80D but the inner race is longer on this application.



361-80B (Front Joint) - Plunge Design

Jeep Grand Cherokee 1999-2000
 Jeep Grand Cherokee- 4.0L 2001-2004
 Jeep Liberty 2002-2007



361-80D

Dodge Dakota (4WD) 2001-2007
 Dodge Durango (4WD)..... 2001-2003
 Jeep Commander 2006-2010
 Jeep Grand Cherokee 2005-2006
 Jeep Grand Cherokee (Exc. 3.0L).... 2007-2010
 Mitsubishi Raider 2006-2007

Note: This joint appears to be the same as the 361-80 but the inner race is shorter on this application.



High Speed CV Joints...



362-80

Dodge Durango 2011-2016
Jeep Grand Cherokee 2011-2016



363-80 (8 Hole CV)

Jeep JK Wrangler 2007-2016



384-80 (Front Joint)

Cadillac SRX (AWD)..... 2010-2016

(40064934 AAM)



385-80 (Rear Joint)

Cadillac SRX (AWD)..... 2010-2016

(40050330 AAM)

High Speed CV Joints...

421-80

- Chevrolet Astro Van (AWD) 1992-1998
- Chevrolet Blazer (AWD Models)..... 1995-1997
- GMC Jimmy (AWD) 1995-1997
- GMC Safari Van (AWD)..... 1992-1998
- Pontiac 6000 (AWD)..... 1989-1990
- Oldsmobile Bravada 1991-1997



421-80C

- Chevrolet Camaro V6 1993-2002
- Pontiac Firebird V6 1993-2002



424-80

- Jeep Grand Cherokee 1993-1998



425-80

- Chrysler Town & Country (AWD) 2001-2004
- Dodge Caravan (AWD)..... 2001-2004

(Very similar to our 424-80 but the inner race is made 0.075" shorter to allow proper fit onto Caravan & Town & Country applications.)



High Speed CV Joints...



426-80

Buick Rendezvous (AWD)	2002-2006
Chevy Venture (AWD)	2002-2005
Chrysler Town & Country (AWD)	2002-2004
Chrysler Town & Country (AWD) W/ 86mm CV	2001-2001
Dodge Caravan (AWD).....	2002-2004
Dodge Caravan (AWD) W/ 86mm CV Joint	2001-2001
Oldsmobile Silhouette (AWD)	2002-2004
Pontiac Aztek (AWD)	2001-2005
Pontiac Montana (AWD)	2002-2005



427-80 (Pinhole Vent)

Ford Explorer.....	1997-2005
Ford Ranger (4WD).....	1998-2011
Lincoln Aviator (4WD).....	2003-2005
Mazda B-3000 Pickup (4WD).....	1998-2003
Mazda B-4000 Pickup (4WD).....	1998-2010
Mercury Mountaineer.....	1997-2005



428-80 (Rubber Vent)

Ford Explorer.....	2006-2010
Mercury Mountaineer.....	2006-2010

3 BUTTON DASH CONTROL



429-80

Chevy Blazer ¹	1998-2005
Chevy Blazer (4WD).....	1995-1997
Chevy S-10 Pickup ¹	1997-2004
Chevy S-10 Pickup (4WD).....	1994-1996
GMC Envoy ¹	1998-2000
GMC Jimmy ¹	1998-2005
GMC Jimmy (4WD)	1995-1997
GMC S-15 Pickup ¹	1997-2004
GMC S-15 Pickup (4WD)	1994-1996
Isuzu Hombre (4WD).....	1998-2000

¹ - Application is w/Electronic Transfer Case

High Speed CV Joints...

429-80A

Buick Rainer	2004-2007
Chevy Astro & GMC Safari	1999-2005
Chevy Blazer & GMC Jimmy ²	1998-2005
Chevy S-10 Pickup ²	1997-2004
Chevy Trailblazer	2002-2009
GMC Envoy ²	1999-2009
GMC S-15 Pickup & Sonoma ²	1997-2004
Isuzu Ascender	2003-2008
Oldsmobile Bravada	1998-2004
Saab 9-7X	2005-2006

² - Application is w/Push Button Transfer Case

435-80 (28 Tooth Inner Race)

Chrysler Aspen W/244TC	2007-2009
Dodge Durango	2004-2006
Dodge Durango W/244TC	2007-2009
Dodge Ram 1500 Pickup	2002-2006

(HOUSING OD IS 4.058 FOR ID PURPOSE)

4 BUTTON DASH CONTROL



436-80 (27 Tooth Inner Race)

Chrysler Aspen W/140TC	2007
Chrysler Aspen W/144TC	2008-2009
Dodge Durango W/140TC	2007
Dodge Durango W/144TC	2008-2009
Dodge Ram 1500 Pickup	2007-2017

(HOUSING OD IS 3.630 FOR ID PURPOSE)



437-80

Chevrolet Colorado	2004-2012
GMC Canyon	2004-2012
Hummer H3	2006-2010
Isuzu I350	2006
Isuzu I370	2007-2008



High Speed CV Joints...



450-80

- Saturn Vue (AWD) 2002-2003
- Saturn Vue 2.2L Thru VIN 4S886739 2004
- Saturn Vue 3.5L (AWD) 2004-2005
- Saturn Vue (AWD) 2006-2007



450-80B

- Chevy Equinox (AWD) 2007-2011
- Dodge Nitro (4x4) 2007-2011
- GMC Terrain (AWD) 2010-2011
- Jeep Liberty (4X4) 2008-2012
- Pontiac Torrent (AWD) 2007-2009



451-80

- Cadillac CTS AWD 3.6L 2008-2014
- Kia Sorento AT 3.5L (F/T 4WD) 2003-2006
- Pontiac Solstice 2006-2010
- Saturn Sky 2007-2010



452-80

- Chevrolet Equinox 2005-2006
- Pontiac Torrent 2006
- Saturn Vue 2.2L
From VIN 4S886740 2004-2005

High Speed CV Joints...

454-80

Ford Escape (AWD)..... 2001-2012
 Mercury Mariner 2005-2011
 Mazda Tribute..... 2001-2006

(Very similiar to our 454-80D but the end cap on this kit is 1 1/2" deep.)



454-80D

Jeep Commander 2007-2010
 Jeep Grand Cherokee 2007-2010

(Very similiar to our 454-80 but the end cap on this kit is 1 1/16" deep.)



455-80

Buick Enclave 2008-2011
 Chevy Traverse 2009-2011
 GMC Acadia 2007-2011
 Nissan GT-R..... 2009-2012
 Saturn Outlook..... 2007-2010



456-80 - (Fixed End)

Ford Mustang (4.6L 3V)..... 2005-2010
 Ford Mustang -5.0L 2011-2014
 Ford Mustang Shelby GT500-5.4L ... 2011-2012



High Speed CV Joints...



456-80B - (Plunge End)

Ford Mustang -4.6L 3V 2005-2010
 Ford Mustang -5.0L 2011-2014
 Ford Mustang Shelby GT500-5.4L ... 2011-2012



457-80 - (Fixed End)

Ford Expedition 2007-2014
 Ford F150 6 spd (6R80) 2009-2010
 Ford F150 2011-2016
 Ford F150 Raptor 2010-2014
 Lincoln Navigator 2007-2014



457-80B - (Plunge End)

Ford Expedition 2007-2014
 Ford F150 6 spd (6R80) 2009-2010
 Ford F150 5.0L & 6.2L 2011-2016
 Ford F150 Raptor 2010-2014
 Lincoln Navigator 2007-2014



471-80 (Rear Joint)

Buick Rendezvous (AWD) 2002-2006
 Chevy Venture (AWD) 2002-2005
 Oldsmobile Silhouette (AWD) 2002-2004
 Pontiac Aztek (AWD) 2001-2005
 Pontiac Montana (AWD) 2002-2005

High Speed CV Joints...

475-80 - (Marked HLJ 75)

Volvo S40	2005-2010
Volvo S60	2002-2009
Volvo V50	2005-2010
Volvo V70	2000-2007
Volvo V70 XC	2001-2007
Volvo XC90	2003-2013



476-80 - (Marked LJ 75 / 19 Teeth)

Volvo S60	2002-2009
Volvo S70	1998-2000
Volvo S80	2008-2011
Volvo V70	1998-2010
Volvo V70 XC	1998-2007
Volvo XC70	2008-2011
Volvo XC90	2003-2013



477-80 - (Marked BJ 75L)

Dodge Journey	2009-2016
Volvo S60	2011-2012
Volvo S80	2008-2012
Volvo V60	2011-2012
Volvo V70	2008-2012
Volvo XC60	2009-2012
Volvo XC70	2008-2012



478-80 - (86mm / 20 Teeth)

Volvo S70	1998-2000
Volvo V70	1998-2002
Volvo V70 XC	1998-2000
Volvo XC90	2011-2013



High Speed CV Joints...



479-80 - (94mm / 24 Teeth)

Volvo 740	1985-1992
Volvo 850	1993-1997
Volvo 940	1991-1994
Volvo 960	1992-1997
Volvo S70	1998
Volvo S90	1997-1998
Volvo V70	1998-2000
Volvo V70 XC	1998-2000
Volvo V90	1997-1998



480-80 - (94mm / 24 Teeth)

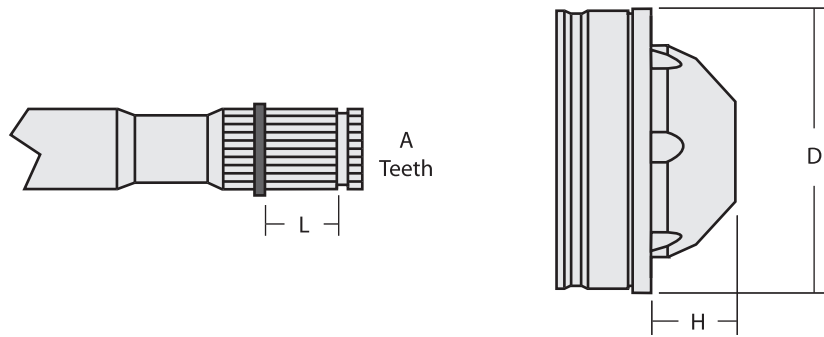
BMW 525i	2000-2003
BMW 525i	1988-1995
BMW 525it	1992-1995
BMW 528i	1996-2000
BMW 530i	2000-2003
BMW 530i	1993-1995
BMW 535i	1988-1993
BMW 735i	1990-1992
BMW 735il	1990-1992
BMW M5	1991-1994



481-80 - (100mm / 25 Teeth)

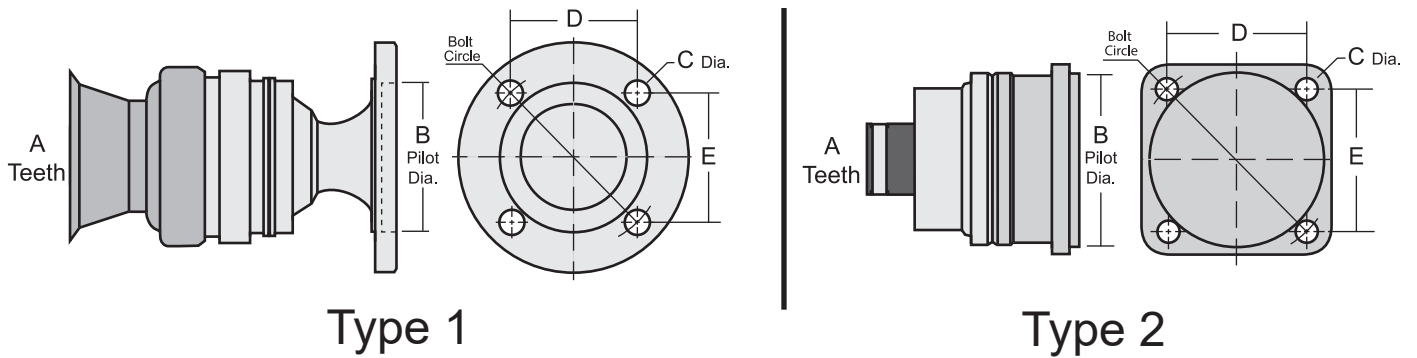
Audi 80	1988-1992
Audi 90	1988-1995
Audi 100	1989-1994
Audi 200	1989-1991
Audi 4000	1984-1987
Audi 5000	1986-1988
Audi A4	1996-2009
Audi A6	1995-2011
Audi A8 Exc. A8L Option	1997-2006
Audi Allroad	2001-2005
Audi Q5	2009-2012
Audi Quattro	1982-1987
Audi RS4	2007-2008
Audi RS6	2003-2004
Audi S4	2000-2010
Audi S4	1992-1994
Audi S6	2002-2003
Audi S6	1995
Audi S8	2000-2003
Audi V8	1990-1994
Volkswagen Passat	2000-2005
Volkswagen Quantum Syncro	1986-1988

Flat Joint Dimensions



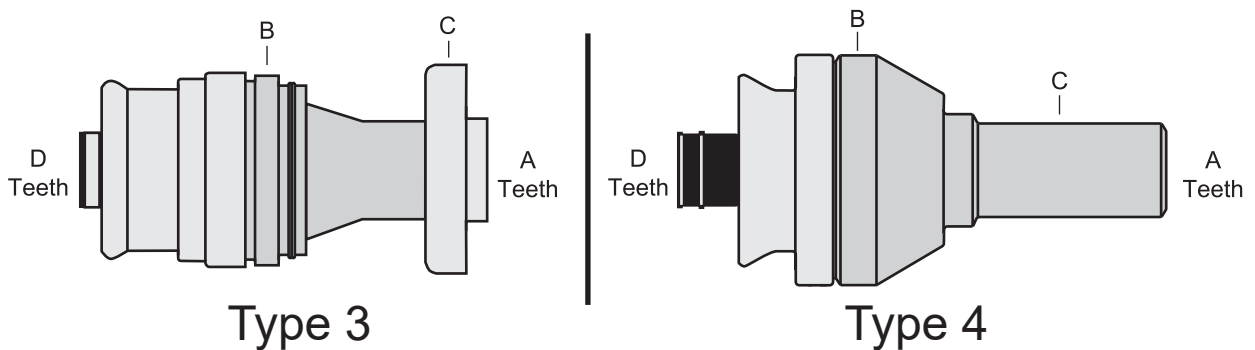
Part No.	Housing OD Outside Dia. D	Number of Teeth A	Spline / Race Length L	Mounting Depth H	Design
361-80	100mm	25T	0.950	0.520	Rzeppa
361-80B	100mm	25T	1.655	1.390	Cross Groove
361-80D	100mm	25T	0.906	0.520	Rzeppa
362-80	95mm	24T	1.065	0.430	Cross Groove
363-80	100mm	35T	1.078	0.328	Rzeppa
364-80	<i>Under development - Check with sales for availability</i>				
365-80	<i>Under development - Check with sales for availability</i>				
424-80	100mm	25T	1.315	1.055	Cross Groove
425-80	100mm	25T	1.230	1.055	Cross Groove
426-80	86mm	21T	0.836	0.480	Rzeppa
427-80	107mm	26T	1.287	1.200	Cross Groove
428-80	107mm	26T	1.290	1.200	Cross Groove
450-80	100mm	30T	1.481	1.390	Cross Groove
450-80B	100mm	30T	1.481	1.390	Cross Groove
451-80	94mm	24T	0.946	0.640	Cross Groove
452-80	85mm	25T	1.143	1.290	Cross Groove
454-80	100mm	26T	1.532	1.370	Cross Groove
454-80D	100mm	26T	1.532	0.945	Cross Groove
455-80	100mm	25T		0.703	Cross Groove
456-80	112mm	30T	1.115	0.600	Rzeppa
456-80B	119mm	30T	1.380	1.094	Cross Groove
457-80	108mm	28T	1.048	0.325	Rzeppa
457-80B	114mm	28T	1.458	1.340	Cross Groove
471-80	100mm	25T	1.655	1.055	Cross Groove
475-80	78mm	24T	0.825	0.615	Cross Groove
476-80	86mm	19T	1.025	0.583	Cross Groove
477-80	86mm	19T	0.745	0.583	Rzeppa
478-80	86mm	20T	0.955	0.563	Cross Groove
479-80	94mm	24T	0.955	0.795/Big Hole	Cross Groove
480-80	94mm	24T	0.955	No End Cap	Cross Groove
481-80	100mm	25T	1.113	No End Cap	Cross Groove

Flange Dimensions



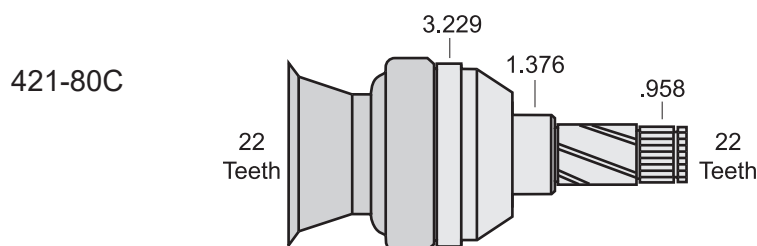
Part No.	Number of Teeth	Pilot Dia.	Bolt Hole Dim.			Bolt Circle	Design
	A	B	Holes	C	D		
421-80	22	2.875-F	4	.413	2.784	2.784	Type 1
437-80	34	3.625-M	4	.413	3.165	3.165	Type 2

Male Spline Dimensions



Part No.	Number of Teeth	Housing Dia.	Dia.	Number of Teeth	Type	Design	Not Shown
	A	B	C	D			
429-80	16/17	3.307	3.188	22	Type 3	Cross Groove	
429-80A	16/17	3.307	3.500	22	Type 3	Cross Groove	
435-80	30	4.058	1.653	28	Type 4	Rzeppa	435-3 Boot
436-80	30	3.630	1.653	27	Type 4	Rzeppa	435-3 Boot

Female Spline Dimensions



Replacement Splines for High Speed CV Joints...



RDL Part Number	Tooth Count	Fits Tube Dia/Wall	Butt Diameter	End of Spline to Weld
361-31	25T / 1.075	OEM	1.615	4.750*
361-31A	25T / 1.075	2.000 / .120	1.765	4.250
361-31B	25T / 1.075	OEM	1.615	8.875*
361-31C	25T / 1.075	2.000 / .120	1.765	8.375
361-31D	25T / 1.075	OEM	1.788	4.750*
361-31E	25T / 1.075	2.000 / .120	1.765	4.250
361-31F	25T / 1.075	2.000 / .083	1.841	4.250
362-31	<i>24T / Under development - Check with sales for availability</i>			
363-31	35T / 1.091	3.000 / .065	2.878	5.063
363-31A	35T / 1.091	3.000 / .083	2.842	4.563
363-31B	35T / 1.091	2.000 / .120	1.765	4.563
363-31C	35T / 1.091	2.500 / .083	2.344	4.563
421-31	22T / 0.995	2.000 / .120	1.765	4.375
421-31A	22T / 0.995	1.250 / .189	0.890	4.375
426-31	<i>Under development - Check with sales for availability</i>			
427-31	26T / 1.125	2.000 / .120	1.765	4.875
429-31	22T / 0.995	2.000 / .083	1.850	4.375
435-31	28T / 1.195	OEM	2.215	5.188*
435-31A	28T / 1.195	2.500 / .083	2.344	4.750
436-31	<i>27T / Under development - Check with sales for availability</i>			
437-31	34T / 1.085	2.000 / .065	1.889	4.500
437-31A	34T / 1.085	2.000 / .120	1.765	4.538
450-31	30T / 0.962	OEM	1.716	7.500*
450-31A	30T / 0.962	2.000 / .120	1.765	7.250
450-31B	30T / 0.962	OEM	1.760	6.875*

* Stub made 1/2" longer than OEM to allow for cut off

RDL Part Number	Tooth Count	Fits Tube Dia/Wall	Butt Diameter	End of Spline to Weld
450-31C	30T / 0.962	2.000 / .083	1.841	6.375
452-31	25T / 0.776	OEM	1.719	7.125*
452-31A	25T / 0.776	2.000 / .120	1.765	6.406
454-31	26T / 1.125	2.500 / .065	2.378	7.750*
454-31A	26T / 1.125	2.000 / .083	1.841	7.750
454-31B	26T / 1.125	2.000 / .120	1.765	7.750
456-31	30T / 1.213	OEM	2.615	5.000*
456-31A	30T / 1.213	3.500 / .083	3.344	4.750
456-31B	30T / 1.213	OEM	2.615	7.250*
456-31C	30T / 1.213	3.500 / .083	3.344	7.000
457-31	28T / 1.135	1.775 / .090	1.602	5.125*
457-31A	28T / 1.135	2.000 / .120	1.765	4.625
457-31B	28T / 1.135	1.775 / .090	1.602	5.875*
457-31C	28T / 1.135	2.000 / .120	1.765	5.375
475-31B	24T / 0.743	OEM	1.857	4.390

* Stub made 1/2" longer then OEM to allow for cut off

High Speed Boot Kits...

Over the years a number of original equipment manufacturers have introduced drive-shafts that incorporate cage & ball or cross groove constant velocity joint technology. According to many of these manufacturers, these driveshafts are non-repairable and no replacement components are available. Rockford supplies **HIGH SPEED BOOTS** for a majority of these “non-repairable” applications.

Boot Kits include:

1-Boot Assembly, End Cap, Grease, Installation Instructions & Any Misc. Hardware Required.

THE INDUSTRY’S BROADEST COVERAGE

Kit Number	Application	Year
320-21C	DISCONTINUED....NO LONGER AVAILABLE	
361-21*	Dodge Dakota (4WD).....	2001-2007
	Dodge Durango (4WD).....	2001-2003
	Jeep Commander (4WD).....	2007-2010
	Jeep Grand Cherokee (4WD).....	1999-2010
	Jeep Liberty- (Rear Joint)- Fixed Design.....	2002-2007
	Mitsubishi Raider (4WD).....	2006-2007
361-21B*	Jeep Grand Cherokee (4WD).....	1999-2004
	Jeep Liberty- (Front Joint)- Plunge Design.....	2002-2007
362-21	Dodge Durango (4WD).....	2011-2016
	Jeep Grand Cherokee (4WD).....	2011-2016
363-21	Jeep Wrangler (8 Hole CV).....	2007-2016
	Jeep Wrangler Rubicon 3.8L (8 Hole CV).....	2007-2016
363-21HA	Jeep Wrangler (8 Hole CV) High Angle	2007-2016
	Jeep Wrangler Rubicon 3.8L (8 Hole CV) High Angle	2007-2016
419-21	Chevrolet Astro Van (AWD).....	1990-1991
	Ford Bronco II (Exc. 6/89-90 2WD).....	1985-1990
	GMC Safari Van (AWD).....	1990-1991
	Jeep Cherokee.....	1984-1987
	Jeep Wagoneer.....	1984-1987
419-21A	GMC Syclone.....	1991-1993
	GMC Typhoon.....	1991-1993
420-21	Ford Bronco II 2WD (6/89-up).....	1989-1990

*Crimping Fixture is available but not required to service these kits (see pgs 22-23)

THE INDUSTRY'S BROADEST COVERAGE

Kit Number	Application	Year
421-21*	Chevrolet Astro Van (AWD).....	1992-1998
	Chevrolet Blazer (AWD).....	1995-1997
	GMC Jimmy (AWD).....	1995-1997
	GMC Safari Van (AWD)	1992-1998
	Pontiac 6000 (AWD)	1988-1990
	Oldsmobile Bravada.....	1991-1997
421-21C	Chevrolet Camaro V6 (check stock, discontinuing when gone).	1993-2002
	Pontiac Firebird V6	1993-2002
424-21*	Buick Rendezvous (AWD)- (Rear CV) Large.....	2002-2006
	Chevy Venture (AWD)- (Rear CV) Large	2002-2005
	Chrysler Town & Country (AWD)- (Rear CV) Large.....	2001-2004
	Dodge Caravan (AWD)- (Rear CV) Large	2001-2004
	Jeep Grand Cherokee Auto Trans	1993-1998
	Oldsmobile Silhouette (AWD)- (Rear CV) Large.....	2002-2004
	Pontiac Aztek (AWD)- (Rear CV) Large.....	2001-2005
	Pontiac Montana (AWD)- (Rear CV) Large.....	2002-2005
426-21*	Buick Rendezvous (AWD)- (Front CV) Small Rzeppa	2002-2006
	Chevy Venture (AWD)- (Front CV) Small Rzeppa	2002-2005
	Chrysler Town & Country (AWD)- (Front CV) Small Rzeppa	2001-2004
	Dodge Caravan (AWD)- (Front CV) Small Rzeppa.....	2001-2004
	Oldsmobile Silhouette (AWD)- (Front CV) Small Rzeppa	2002-2004
	Pontiac Aztek (AWD)- (Front CV) Small Rzeppa	2001-2005
	Pontiac Montana (AWD)- (Front CV) Small Rzeppa.....	2002-2005
427-21A	Ford Explorer (4WD).....	1997-2010
	Ford Ranger (4WD)	1998-2011
	Lincoln Aviator (4WD)	2003-2005
	Mazda B-3000 Pickup (4WD)	1998-2003
	Mazda B-4000 Pickup (4WD)	1998-2010
	Mercury Mountaineer (4WD).....	1997-2010
429-21*	DISCONTINUED....NO LONGER AVAILABLE	
435-21*	Chrysler Aspen W/244TC	2007-2009
	Dodge Durango.....	2004-2006
	Dodge Durango W/244TC	2007-2009
	Dodge Ram 1500 Pickup.....	2002-2006
436-21*	Chrysler Aspen W/140TC	2007
	Chrysler Aspen W/144TC	2008-2009
	Dodge Durango W/140TC	2007
	Dodge Durango W/144TC	2008-2009
	Dodge Ram 1500 Pickup.....	2007-2016

*Crimping Fixture is available but not required to service these kits (see pgs 22-23)

THE INDUSTRY'S BROADEST COVERAGE

Kit Number	Application	Year
437-21*	Chevrolet Colorado	2004-2012
	GMC Canyon	2004-2012
	Hummer H3.....	2006-2010
	Isuzu I350	2006
	Isuzu I370	2007-2008
450-21*	Saturn Vue (AWD)	2002-2003
	Saturn Vue 2.2L Thru VIN 4S886739	2004
	Saturn Vue 3.5L (AWD).....	2004-2005
	Saturn Vue (AWD)	2006-2007
450-21B	Chevrolet Equinox (AWD Rear)	2007-2011
	GMC Terrain (AWD Rear)	2010-2011
	Jeep Liberty (4WD Front).....	2008-2012
	Pontiac Torrent (AWD Rear)	2007-2009
451-21	Cadillac CTS AWD 3.6L	2008-2014
	Kia Sorento AT 3.5L (Full Time 4WD)	2003-2006
	Pontiac Solstice	2006-2010
	Saturn Sky	2007-2010
452-21*	Chevrolet Equinox.....	2005-2006
	Pontiac Torrent.....	2006
	Saturn Vue 2.2L From VIN 4S886740	2004-2005
454-21	Ford Escape (AWD).....	2001-2007
	Mercury Mariner (AWD)	2005-2007
	Mazda Tribute (AWD).....	2001-2006
454-21D	Jeep Commander	2007-2010
	Jeep Grand Cherokee.....	2007-2010
456-21	Ford Mustang (4.6L 3V)- Fixed End.....	2005-2010
	Ford Mustang (5.0L)- Fixed End	2011-2014
	Ford Mustang Shelby GT 500 (5.4L)- Fixed End	2011-2012
456-21B	Ford Mustang (4.6L 3V)- Plunge End	2005-2010
	Ford Mustang (5.0L)- Plunge End.....	2011-2014
	Ford Mustang Shelby GT 500 (5.4L)- Plunge End.....	2011-2012
457-21*	Ford Expedition- Fixed End	2007-2014
	Ford F150- Fixed End.....	2011-2016
	Ford F150 6 Spd (6R80)- Fixed End.....	2009-2010
	Ford F150 Raptor- Fixed End	2010-2014
	Lincoln Navigator- Fixed End.....	2007-2014

*Crimping Fixture is available but not required to service these kits (see pgs 22-23)

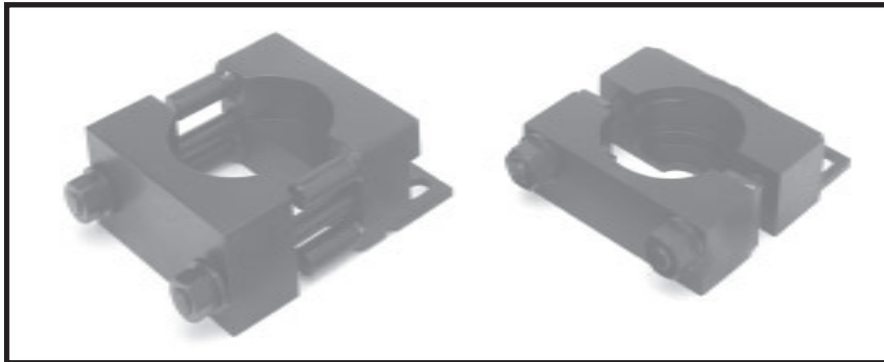
THE INDUSTRY'S BROADEST COVERAGE

Kit Number	Application	Year
457-21B*	Ford Expedition- Plunge End	2007-2014
	Ford F150- Plunge End.....	2011-2016
	Ford F150 6 Spd (6R80)- Plunge End	2009-2010
	Ford F150 Raptor- Plunge End.....	2010-2014
	Lincoln Navigator- Plunge End	2007-2014
475-21	Volvo S40 (78mm CV)	2005-2010
	Volvo S60 (78mm CV)	2003-2009
	Volvo V50 (78mm CV)	2005-2010
	Volvo V70 (78mm CV)	2003-2007
	Volvo V70 XC (78mm CV)	2003-2007
	Volvo XC90 (78mm CV).....	2003-2006
477-21	Dodge Journey.....	2009-2016
	Volvo S60 (86mm CV)	2002-2012
	Volvo S70 (86mm CV)	1998-2000
	Volvo S80 (86mm CV)	2007-2012
	Volvo S80L (86mm CV)	2008-2013
	Volvo V60 (86mm CV)	2011-2012
	Volvo V70 (86mm CV)	1998-2012
	Volvo V70 XC (86mm CV)	1998-2007
	Volvo XC60 (86mm CV).....	2009-2012
	Volvo XC70 (86mm CV).....	2008-2012
Volvo XC90 (86mm CV).....	2003-2013	
804-21*	BMW 735i (Stud Style CV).....	1987-1992
	BMW 735iL (Stud Style CV).....	1988-1989
	BMW 750iL (Stud Style CV).....	1988-1991
	BMW M5 (Stud Style CV)	1991
804-21C	BMW 735i (Thru-Bolt Style CV)	1987-1992
	BMW 735iL (Thru-Bolt Style CV)	1988-1989
	BMW 750iL (Thru-Bolt Style CV)	1988-1991
	BMW M5 (Thru-Bolt Style CV).....	1991
	Porsche Cayenne	2003-2010
	Volkswagen Touareg.....	2004-2008
805-21A	DISCONTINUED....NO LONGER AVAILABLE	
806-21A	DISCONTINUED....NO LONGER AVAILABLE	
808-21A	Nissan 300ZX Twin Turbo.....	1990-1996
	BMW 740i W/ E32 Body Style	1993-1994
	BMW 740iL W/ E32 Body Style	1993-1994

*Crimping Fixture is available but not required to service these kits (see pgs 22-23)

High Speed Boot Crimping Fixtures...

Rockford now offers a wide selection of fixtures that will professionally crimp high speed boots onto the original equipment housing. Each fixture assures you of a positive seal that keeps lubricants in and contaminants out.



Crimping Fixture	Boot Kit Number	Applications	Years
100-14TG	421-21	Chevrolet Astro Van (AWD)	1992-1998
		Chevrolet Blazer (AWD)	1995-1997
		GMC Jimmy (AWD)	1995-1997
		GMC Safari Van (AWD)	1992-1998
		Pontiac 6000 (AWD)	1989-1990
		Oldsmobile Bravada	1991-1997
100-14TN	804-21	BMW 735i (Stud Style CV)	1987-1992
		BMW 735iL (Stud Style CV)	1988-1989
		BMW 750iL (Stud Style CV)	1988-1991
		BMW M5 (Stud Style CV)	1991
100-14TO	424-21	Chrysler Town & Country (AWD)- Plunging Joint	2001-2004
		Dodge Caravan (AWD)- Plunging Joint.....	2001-2004
		Jeep Grand Cherokee Auto Trans.....	1993-1998
<u><i>Crimps the boot flange & end cap in one step</i></u>			
100-14TP	429-21	Buick Rainer	2004-2007
		Chevrolet Astro Van (AWD)	1999-2005
		Chevrolet Blazer (4WD)	1995-2005
		Chevrolet Trailblazer	2002-2009
		Chevrolet S-10 Pickup (4WD)	1994-2004
		GMC Envoy	1998-2009
		GMC Jimmy (4WD)	1995-2005
		GMC Safari Van	1999-2005
		GMC S-15 Pickup (4WD)	1994-2004
		Isuzu Ascender (4WD)	2003-2008
		Isuzu Hombre (4WD).....	1998-2000
		Oldsmobile Bravada (4WD).....	1998-2004
Saab 9-7X	2005-2006		

High Speed Boot Crimping Fixtures...





Crimping Fixture	Boot Kit Number	Applications	Years
100-14TQ	361-21	Dodge Dakota (4WD).....	2001-2007
		Dodge Durango (4WD).....	2001-2003
		Jeep Commander (4WD).....	2007-2010
		Jeep Grand Cherokee (4WD).....	1999-2010
		Jeep Liberty- (Rear Joint)- Fixed Design.....	2002-2007
		Mitsubishi Raider (4WD).....	2006-2007
		<u>Crimps the boot flange & end cap in one step</u>	
100-14TR	361-21B	Jeep Grand Cherokee (4WD).....	1999-2004
		Jeep Liberty- (Front Joint)- Plunge Design.....	2002-2007
		<u>Crimps the boot flange & end cap in one step</u>	
100-14TS	437-21	Chevrolet Colorado.....	2004-2012
		GMC Canyon.....	2004-2012
		Hummer H3.....	2006-2010
		Isuzu I350.....	2006
		Isuzu I370.....	2007-2008
100-14TT	435-21	Chrysler Aspen W/244TC.....	2007-2009
		Dodge Durango.....	2004-2006
		Dodge Durango W/244TC.....	2007-2009
		Dodge Ram 1500 Pickup.....	2002-2006
100-14TU	450-21	Saturn Vue (AWD).....	2002-2003
		Saturn Vue 2.2L Thru VIN 4S886739.....	2004
		Saturn Vue 3.5L (AWD).....	2004-2005
		Saturn Vue (AWD).....	2006-2007
100-14TV	452-21	Chevrolet Equinox.....	2005-2006
		Pontiac Torrent.....	2006
		Saturn Vue 2.2L From VIN 4S886740.....	2004-2005
100-14TW	454-21	Ford Escape.....	2001-2007
		Mercury Mariner.....	2005-2007
		Mazda Tribute.....	2001-2006
	454-21D	Jeep Commander.....	2007-2010
		Jeep Grand Cherokee.....	2007-2010
100-14TX	436-21	Chrysler Aspen Exc. W/244TC.....	2007-2009
		Dodge Durango Exc. W/244TC.....	2007-2009
		Dodge Ram 1500 Pickup - 8 Ball CV Joint.....	2007-2016
100-14TZ	363-21	Jeep Wrangler.....	2007-2016
		Jeep Wrangler Rubicon 3.8L.....	2007-2016

High Speed Boot Crimping Fixtures...

<i>Crimping Fixture</i>	<i>Boot Kit Number</i>	<i>Applications</i>	<i>Years</i>
457-CF	457-21	Ford Expedition - Fixed End.....	2007-2014
		Ford F150 - Fixed End	2009-2016
		Lincoln Navigator - Fixed End	2007-2014
457B-CF	457-21B	Ford Expedition - Plunge End	2007-2014
		Ford F150 - Plunge End	2009-2016
		Lincoln Navigator - Plunge End.....	2007-2014





Reference Guide...

A handy guide for you to use when looking for the crimping fixture needed for a High Speed CV Joint or Boot Kit. Use it for finding what Boot Kit is used for a CV Joint or even when you want to know what spline to use when making a driveshaft assembly.

			
High Speed CV Joint Kits	Crimping Fixtures	Replacement Splines	High Speed CV Boot Kits
***	***	***	320-21C
361-80	100-14TQ	361-31 361-31A 361-35	361-21
361-80B	100-14TR	361-31B 361-31C	361-21B
361-80D	100-14TQ	361-31D 361-31E 361-31F	361-21
362-80	***	362-31	362-21
363-80	100-14TZ	363-31 363-31A 363-31B 363-31C	363-21
***	***	***	419-21
***	***	***	419-21A
***	***	***	420-21
421-80	100-14TG	421-31 421-31A	421-21
424-80	100-14TO	***	424-21
425-80	100-14TO	***	424-21
426-80	***	426-31	426-21
427-80	***	427-31	427-21A
428-80	***	427-31	427-21A
429-80	***	429-31	***
429-80A	***	429-31 421-31A	***
435-80	100-14TT	435-31 435-31A	435-21
436-80	100-14TZ	436-31 436-31A	436-21
437-80	100-14TS	437-31 437-31A	437-21
450-80	100-14TU	450-31 450-31A	450-21

Reference Guide...

A handy guide for you to use when looking for the crimping fixture needed for a High Speed CV Joint or Boot Kit. Use it for finding what Boot Kit is used for a CV Joint or even when you want to know what spline to use when making a driveshaft assembly.

			
High Speed CV Joint Kits	Crimping Fixtures	Replacement Splines	High Speed CV Boot Kits
450-80B	100-14TU	450-31B 450-31C	450-21B
451-80	***	***	451-21
452-80	100-14TV	452-31 452-31A	452-21
454-80	100-14TW	454-31 454-31A 454-31B	454-21
454-80D	100-14TW	454-31 454-31A 454-31B	454-21D
455-80	***	***	***
456-80	***	456-31 456-31A	456-21
456-80B	***	456-31B 456-31C	456-21B
457-80	457-CF	457-31 457-31A	457-21
457-80B	457B-CF	457-31B 457-31C	457-21B
471-80	100-14TR	361-31B 361-31C	424-21
475-80	***	475-31B	475-21
476-80	***	***	477-21
477-80	***	***	477-21
478-80	***	***	***
479-80	***	***	***
480-80	***	***	***
481-80	***	***	***
***	100-14TN	***	804-21
***	***	***	804-21C
***	***	***	805-21A
***	***	***	808-21A

MANUFACTURER OF DRIVELINE COMPONENTS
1500 11TH AVENUE ROCKFORD, ILLINOIS 61104
PHONE (815) 962-1411 FAX (815) 965-4857
RockfordDriveLine.com